

Reisopack[®]

Horizontal semi-automatic
strapping - machine for pallets

2800

Strapping technologies



The best solution
for the horizontal
strapping of the pallets

2800

Horizontal semiautomatic strapping machine for pallets

Easy to use. The machine can be placed beside the stacked pallet, avoiding the need to move the load. Battery operation optional.

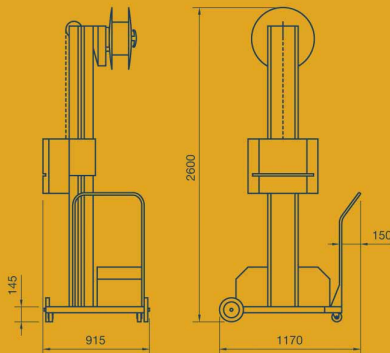
- Designed and manufactured using highest quality components.
- Aluminium head set and tension roller treated ensures long life of the machine.
- Tension electronically adjustable through a magnetic clutch to get the strongest tension without any physical effort.
- Strapping height manually adjustable without effort. Allows strap from 17 cm. from the floor up to 2 m.
- It helps putting edge protectors while first strapping.
- More than 300 machines working mainly in fruit and vegetable (producers') warehouses since 1994.



The pallet is strapped and stabilised before moving the load.



This simple system assists edge protector placement on the first strap.



Characteristics

Voltage: 220 V / 240 V · 50 / 60 hz. single phase
Elect. consumption: 1 kw. aprox. product: 20-30 pallets / hour
Battery duration: 600 straps
Packaging dimensions: 2 packages (350 kg)
110 x 110 x 84 cm / 245 x 78 x 65 cm

Technical specifications

Strap width: 6-8-12-15,5 mm (Factory Set)
Strap thickness: 0.50-0.85 mm
Heating system: electrical heating
Heating temperature and cooling time adjustable
Options: battery including recharge system

10/04 Edition · We reserve the right to make any modification without prevention.

2800



Steenks Service bv.
Jan van de Laarweg 1
2678 LH De Lier · Holland

T. +31 (0)174 - 510 266 · F. +31 (0)174 - 518 326
I. www.steenks-service.nl
E. info@steenks-service.nl