

Reisopack[®]

**Semi-automatic side sealing strapping
Machine**

1402

Strapping technologies

**The solution for the strapping
of difficult
packages**

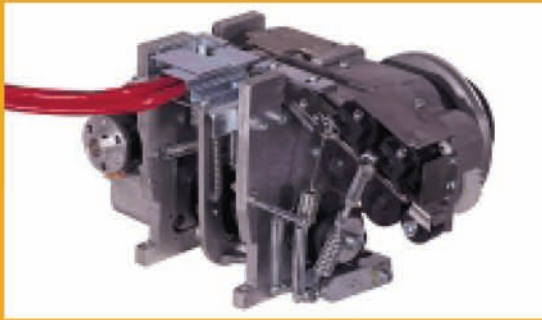


1402

Semi-automatic side sealing strapping Machine

High performance semiautomatic strapping machine. Electronic adjustment of tension, heating and length of the strap.

- Own technology using first quality components.
- Aluminium head set and tension roller treated ensure long life to the machine.
- Head in lateral position makes the machine completely adaptable to packaging lines.

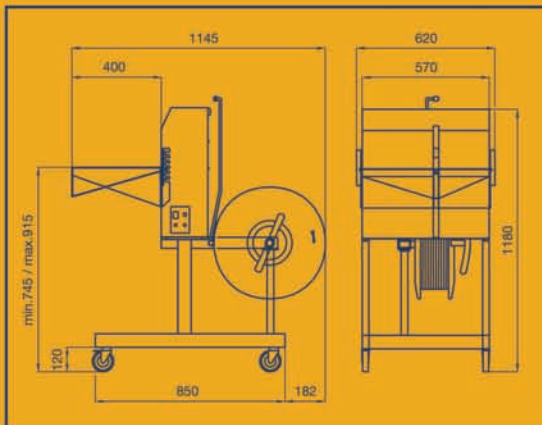


- The position of the head allows the strapping of specially difficult packages as: packages of little width, wooden packages, products that remove residuals that could dirty the head, etc...
- Also available in stainless steel with system of auto-lubrication of the head, specially suitable for meat and seafood industries.
- Tension electronically adjustable through a magnetic clutch to get the strongest tension without any physical effort.
- Electronic control of the tension, heating, cutting and length of the strap.
- Electric adjustment of the cooling after sealing to get better sealing quality, especially for hard packages (wood, iron, etc).
- Light and easy to move because its breaking castors.

The 1402 is light and easy to move because it's breaking castors.



The work table is adjustable in height and is available in two versions, with and without rollers.



CHARACTERISTICS

- VOLTAGE: 220 V / 240 V - 50 / 60 Hz. Single phase.
- ELECTRIC CONSUMPTION: 0,5 Kw.
- APROX. PRODUCTION: 15-20 packages / minute.
- PACKAGING DIMENSIONS: 1 package (75 Kg.).
- 64 X 120 X 120 cm.

TECHNICAL SPECIFICATIONS

- STRAP WITH: 6-8-12-15,5 mm.
- STRAP THICKNESS: 0,50-0,85 mm.
- HEATING SYSTEM: Electrical heating.
- Heating temperature and cooling time adjustable.
- OPTIONS: Roller table.

04/00 Edition. We reserve the right to make any modification without prevention.